



scoop

PLANTERS

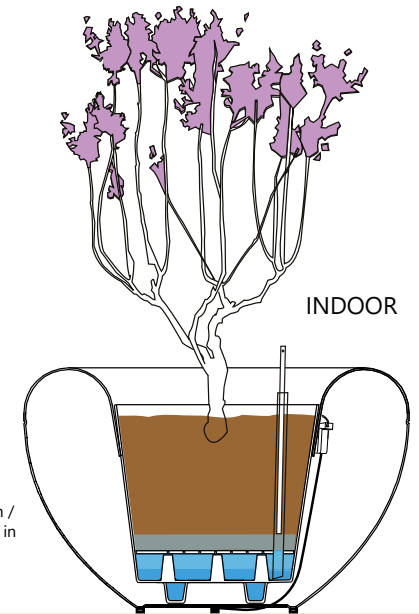
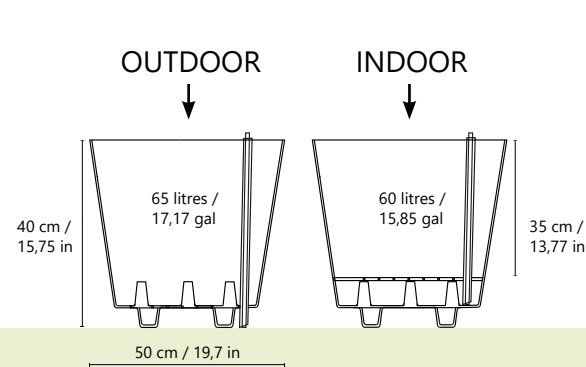
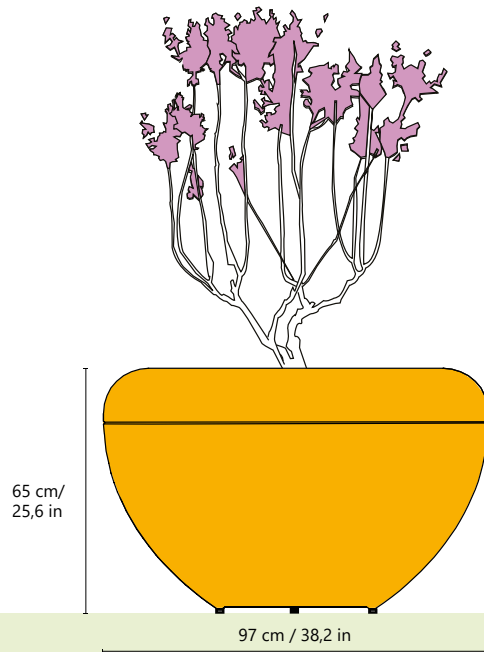
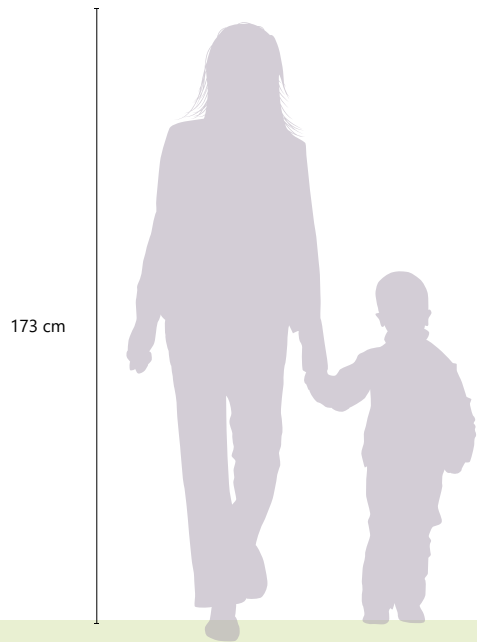
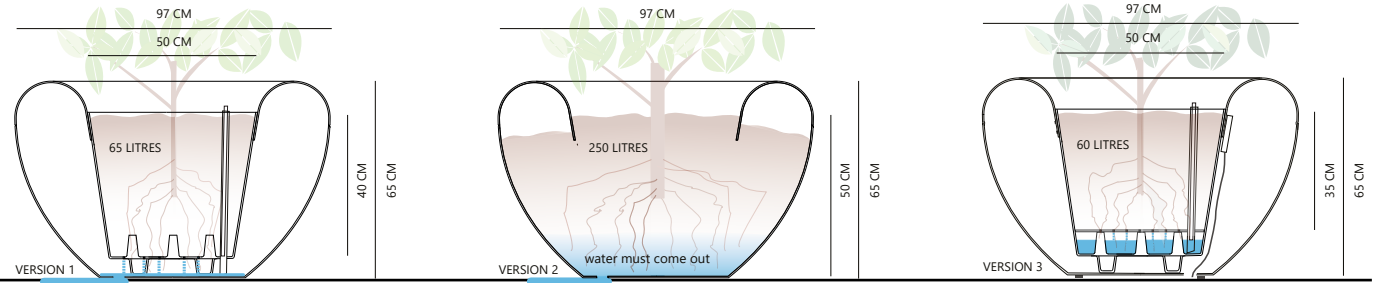
Table of Contents

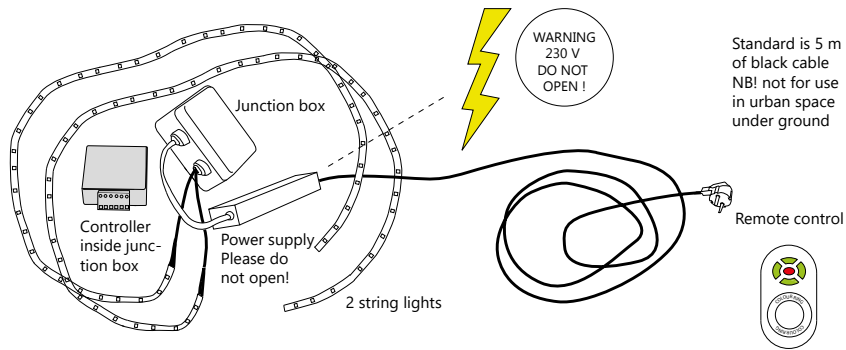
Dimensions	1
Technical specification - Scoop Light & Scoop care	2
Scoop outdoor	3
Scoop indoor	4
Fixing with F2 bracket - outdoor	5
Fixing with F3 & F4 bracket - outdoor	6
Mounting H1 bracket & castors	7
Fixing of tree to Scoop	8
Scoop, the environment & Green Good Design Award	9

manga
street

MOUNTING

DIMENSIONS & VOLUME





Scoop Light string lights - colour change and light reduction The string light consists of two 1.6 m LED-strings. A watertight junction box for the controller (not waterproof) and a waterproof power supply. The light is controlled with a remote (not waterproof).

Specifications for LED-string with colour change:

Article No. LW505030RGB

Voltage: 12V DC

Emission angle: 120 degrees

Consumption for string lights (7,2 w pr meter) – 12 w + 4 w on power supply = 16 w

Luminous flux per meter: 540 Lm 5050 SMD – 30 /m IP 54

Service life: 50,000 hours

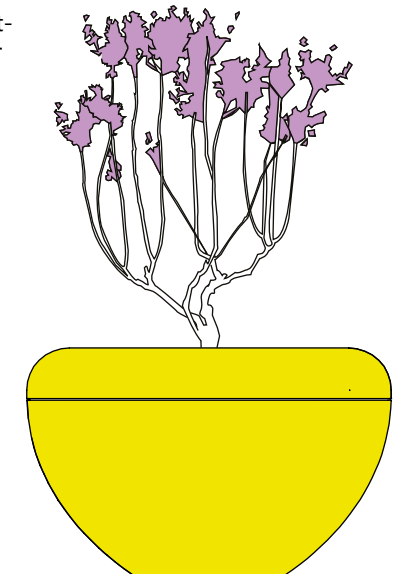
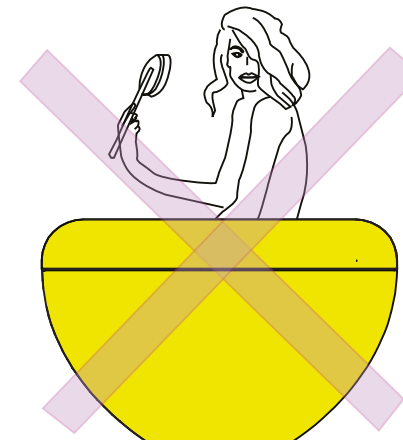
Power supply is CE-approved according to European standards. It is 36 w – 12vdc. IP 67.

CLEANING INSTRUCTIONS - OUTDOOR

- 1 Use high-pressure cleaner on the outside of Scoop planters in combination with a soft sponge on very dirty areas not at the same time). DO NOT high pressure clean or wash the string lights and controller and power supply!
- 2 Rubber and Plastic Cleanser (the same as is used for cars). Spray onto Scoop when dry and wipe off with a soft cloth. The cleanser removes stains and gives a fresh and new surface but is seldom necessary. Or: Use basic detergent, a soft sponge and hot water. However, the above-mentioned is better.

SCOOP INTENDED FOR PLANTING OF TREES AND BUSHES

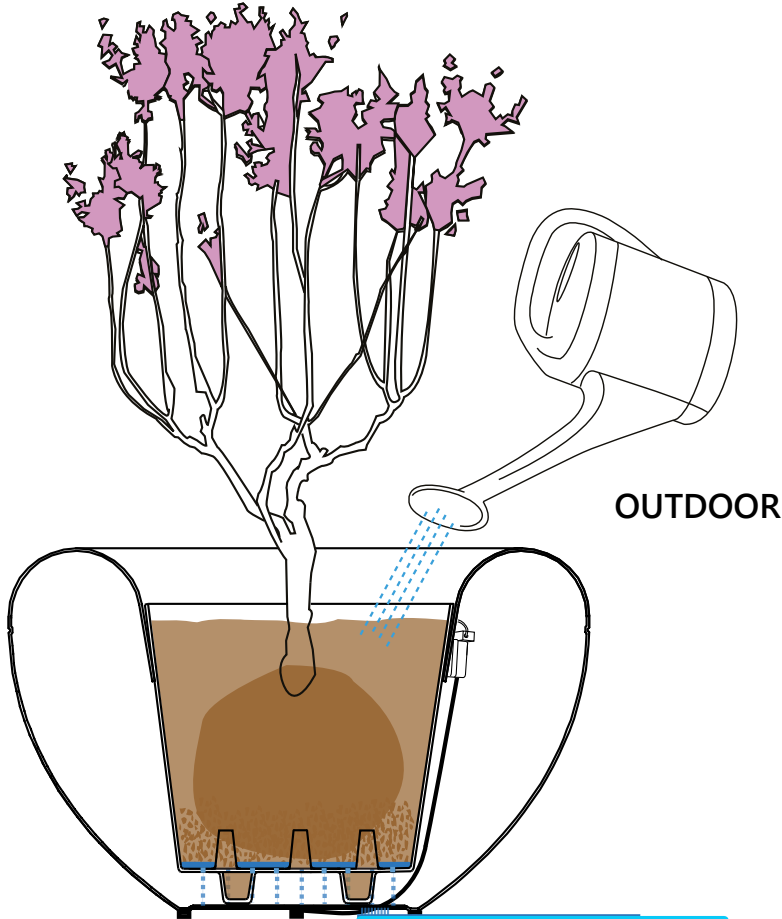
Scoop planters is exclusively intended for planting of trees and bushes, and not for bathing or swimming!



scoop

PLANTERS

OUTDOOR USE

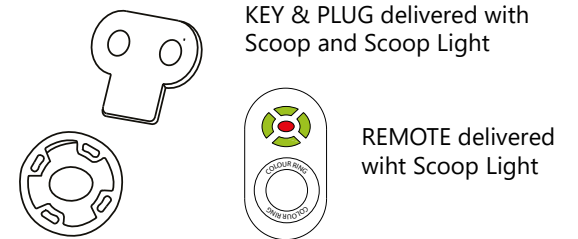
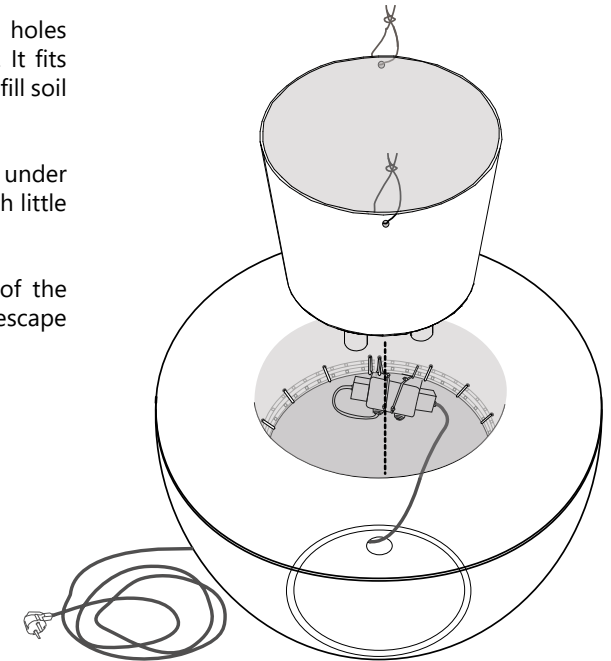
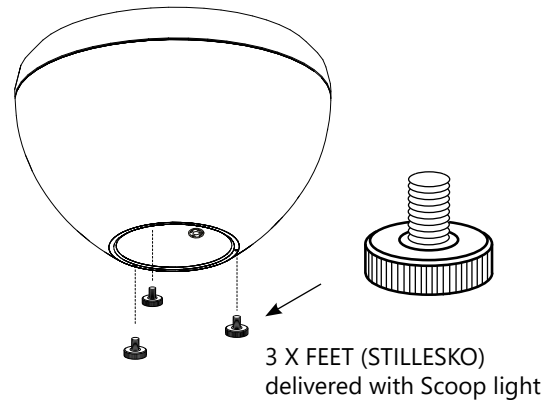


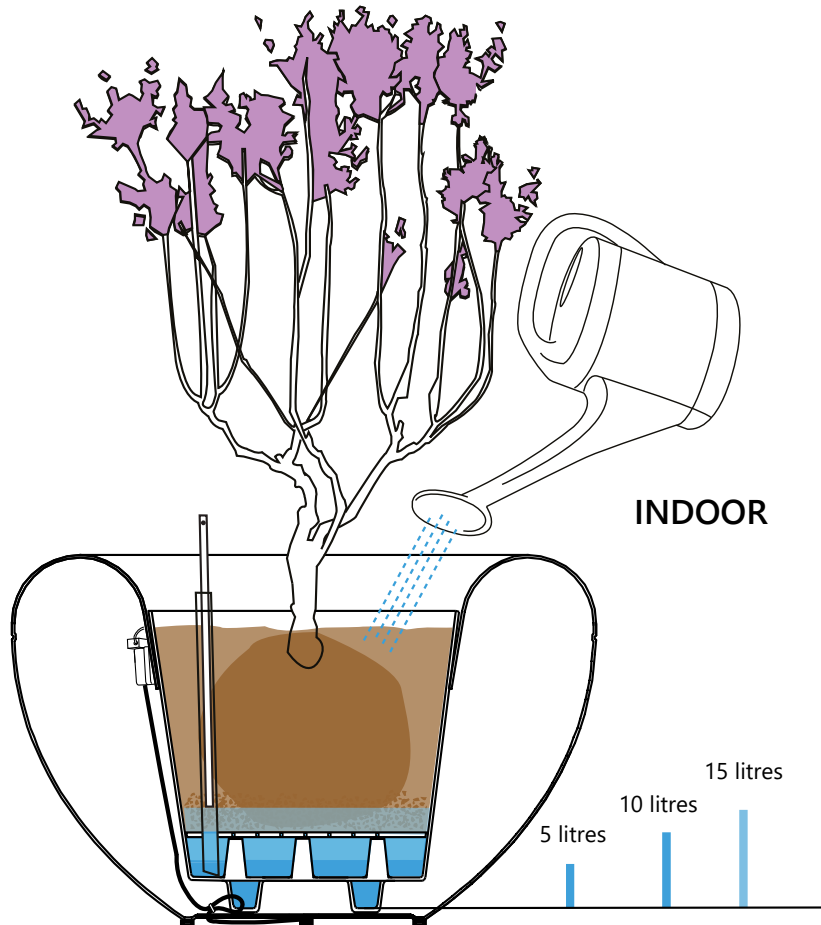
Scoop for outdoor use comes with an inner pot with holes in the bottom (This is always in black reused plastic). It fits snugly inside the Scoop and holds the planting. Do not fill soil above the inner pot.

Scoop Light is delivered with the LED light preattached under the rim of the pot. It is also delivered and mounted with little feet that makes space for the cable.

Unscrew the plug in the drainage hole in the base of the Scoop, using the enclosed plastic key. Water will escape through drainage holes in the inner pot, and then drain away through the large hole in the base of the Scoop.

Place the inner pot in Scoop. Now Scoop/ Scoop Light is ready for planting.

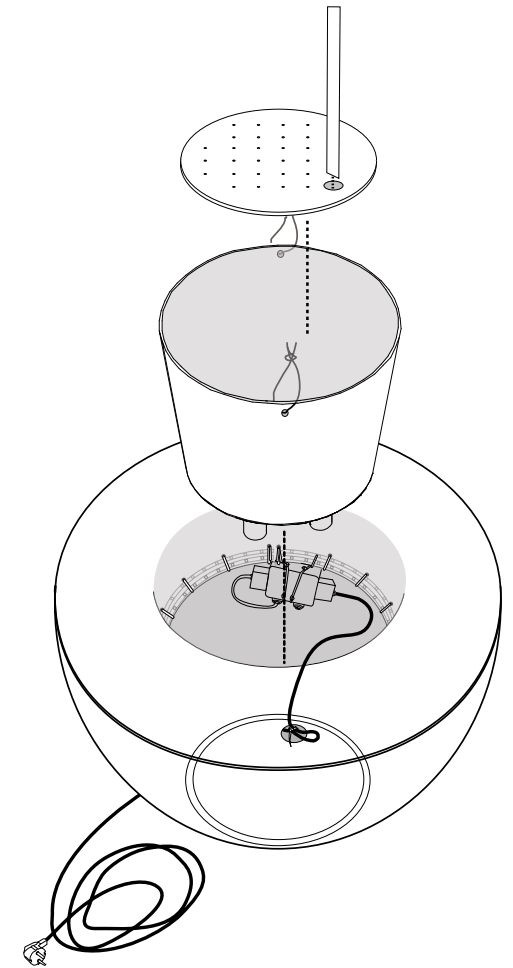




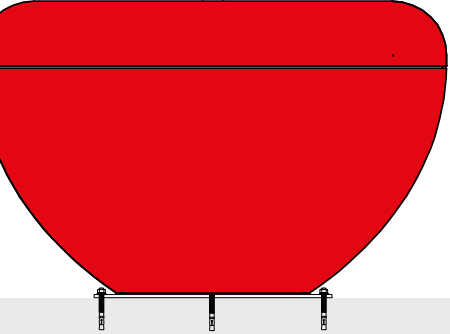
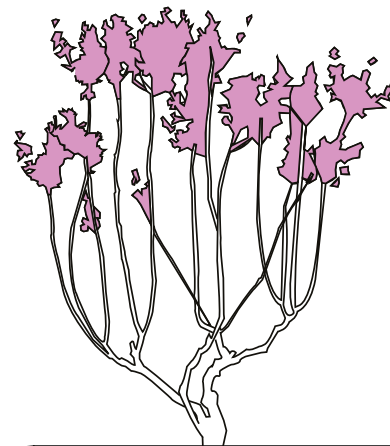
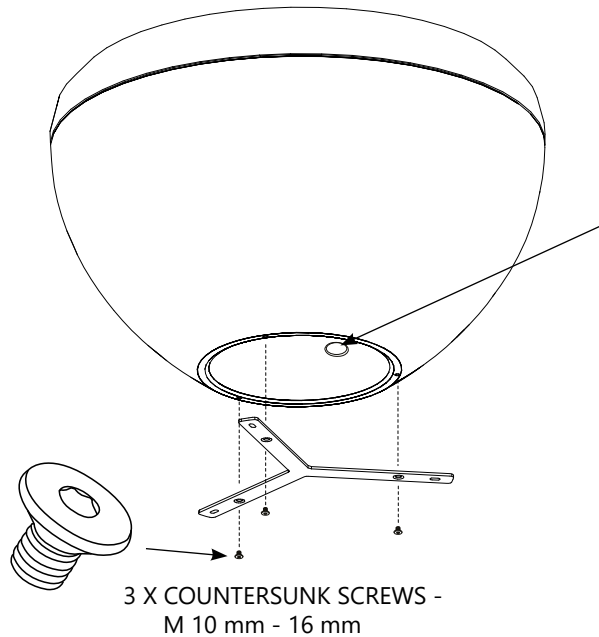
Scoop and Scoop Light for indoor use comes with an inner pot with NO holes in the bottom (This inner part is always in black recycled plastic). It comes with a two-part inner which fits snugly inside the Scoop, and holds the planting. Place the tub of the inner in the Scoop, and then sit the circular disc inside. The tube for the water gauge, (which is a long cylinder of polystyrene) fits in the large hole in the disc.

Scoop Light is delivered with the LED light pre-attached under the rim of the pot. It is also delivered and mounted with little feet that makes space for the cable. (See page 3)

Now Scoop is ready for planting. DO NOT water or plant above the inner when using the pot inside, as water may escape to the drainage hole in the base of the Scoop. For extra security you can add thin weather strip (as used for windows) around the inner to make it fit extra tightly. Insert the water gauge into the tube. This will rise and lower depending on the amount of water sitting in the reservoir. The gauge, and the plastic tube, can be cut down to just above soil level if preferred. Ideally the reservoir should be just full of water, which the roots will soak up through capillary action.

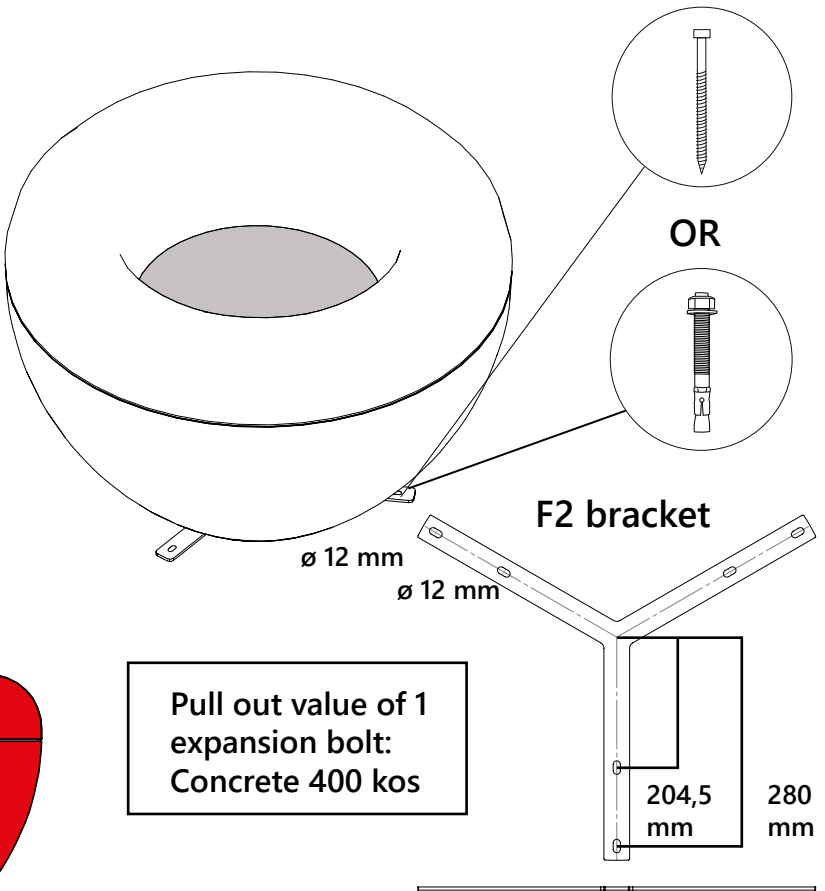


FIXING WITH F2 BRACKET



2

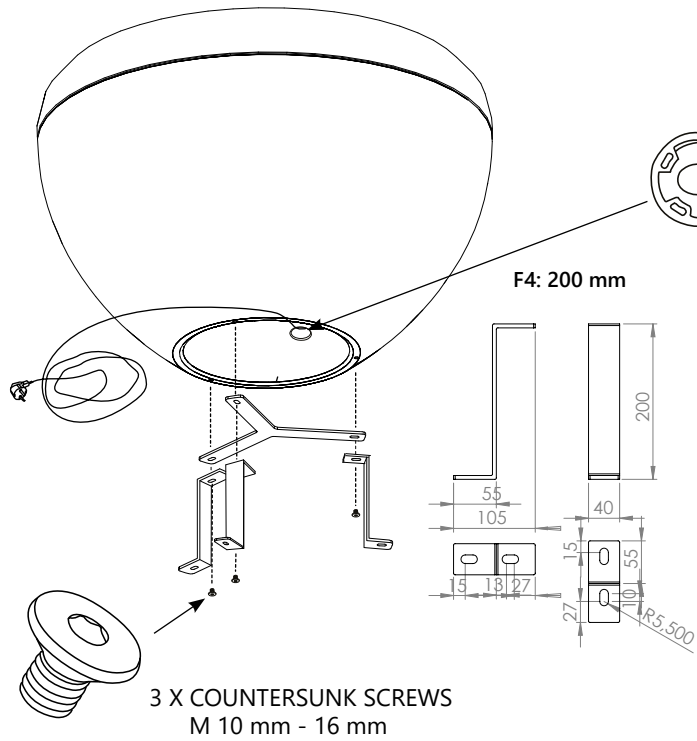
1. Mark in the holes and pre-drill (drill diameter 6 mm). Fix with screws in firm surface.
Or: 2. Mark in the holes and pre-drill. Fix with expansion bolts. (The expansion bolt is only for fixing in concrete and is not enclosed).
These directions for fixing of Scoop in public domain are only instructive. Manga Street will not guarantee for any theft of or vandalism on Scoop.



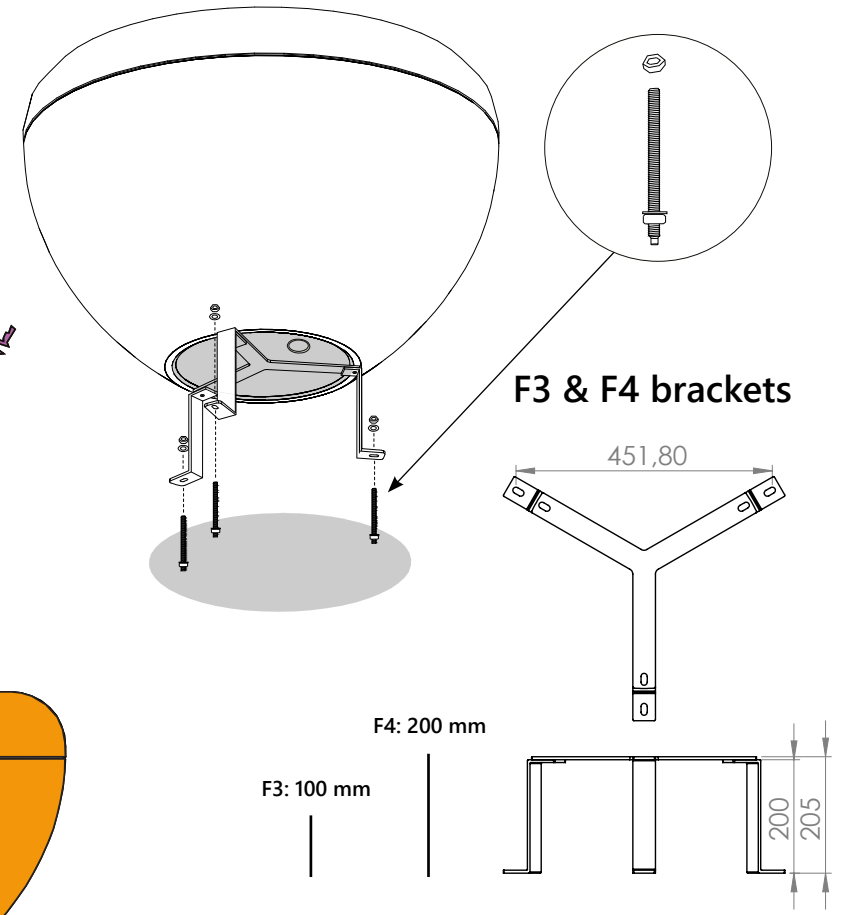
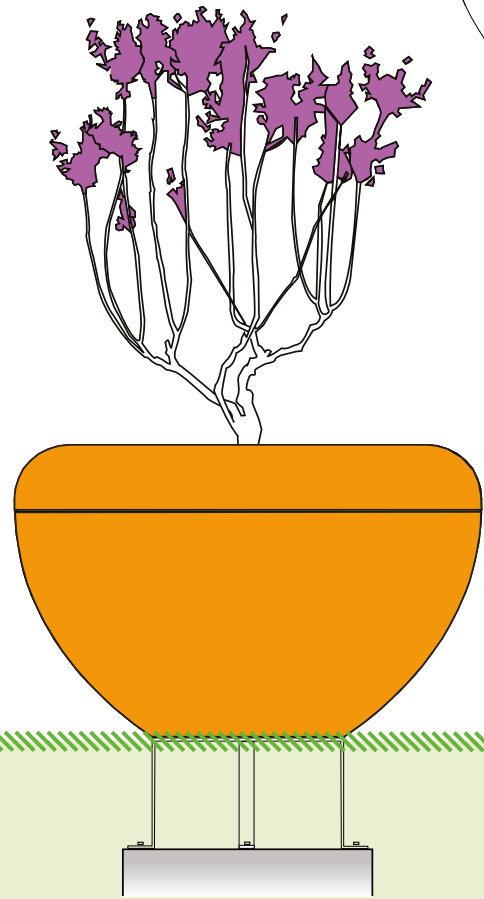
1 Place Scoop upside down on for instance the wrapping. Unscrew the drain plug at the bottom of Scoop so the cable can pass through the hole (Scoop Light). Screw on bracket with the enclosed screws in three bushings at the bottom of Scoop.

FIXING WITH F3 OR F4 BRACKETS

- Cast concrete foot with three threaded bars (threaded bar diameter 8 mm). Fix the first bolt and the washer. Brackets and washer and the second bolt. Adjust bolts until Scoop is level.

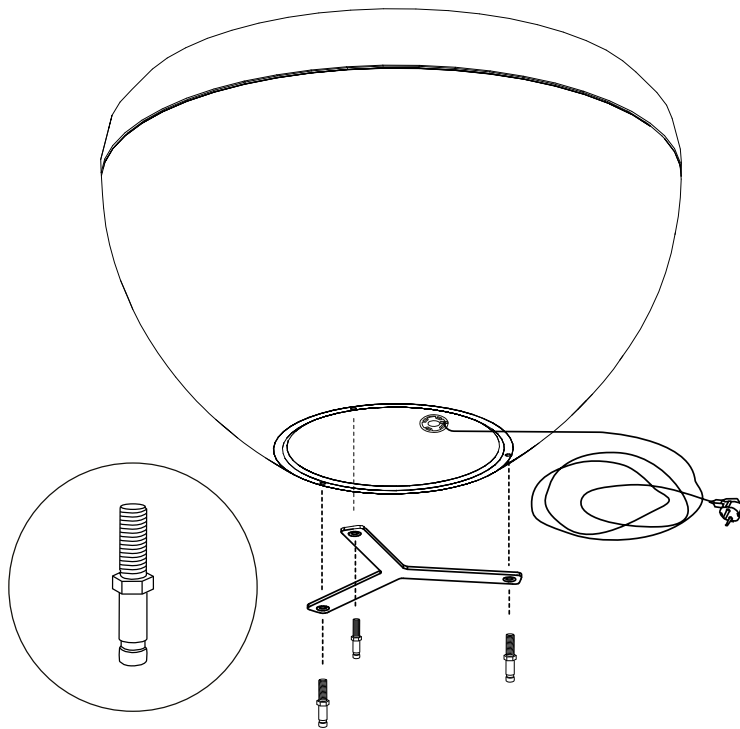


- Place Scoop upside down on for instance the wrapping. Screw on brackets with the enclosed screws in three bushings at the bottom of Scoop. NB! Make sure that the cable is free of the brackets (Scoop Light).



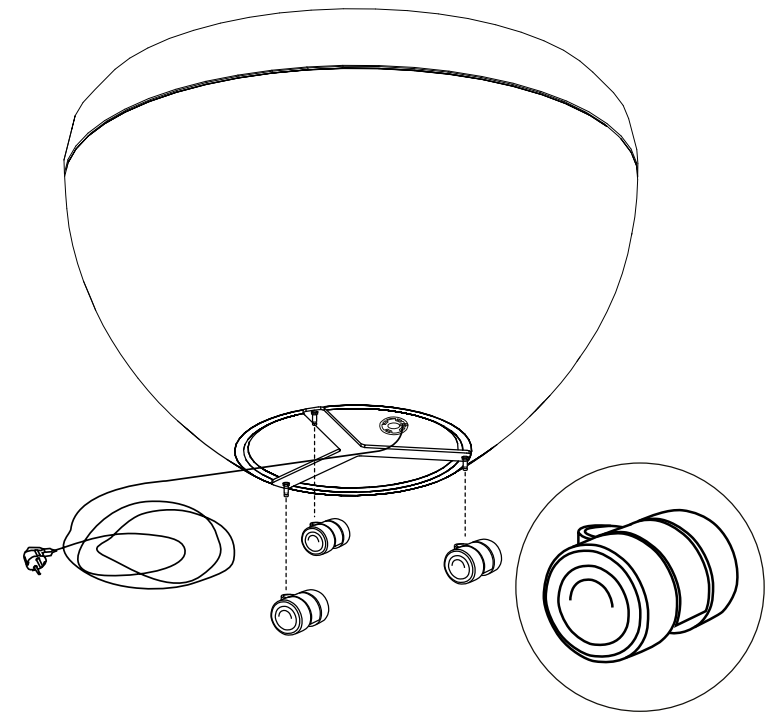
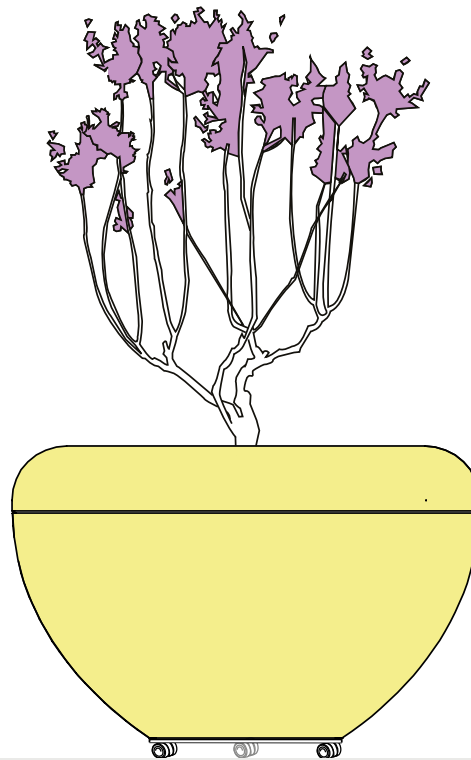
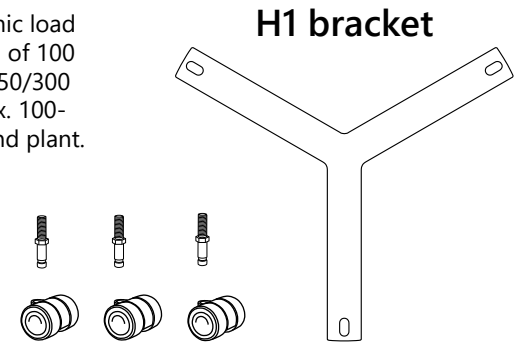
CASTORS AND H1 BRACKET

- 1 Place Scoop upside down on for instance the wrapping.
- 2 Turn the enclosed threaded bolt up through the bracket up into the bushing in Scoop.



- 3 Push the castor up into the threaded bolt, until it clicks.

The castor stands a dynamic load of 50 kgs and a static load of 100 kgs (totally for 3 castors 150/300 kgs). Scoop weighs approx. 100-120 kgs inclusive of soil and plant.



FIXING OF TREES TO SCOOP



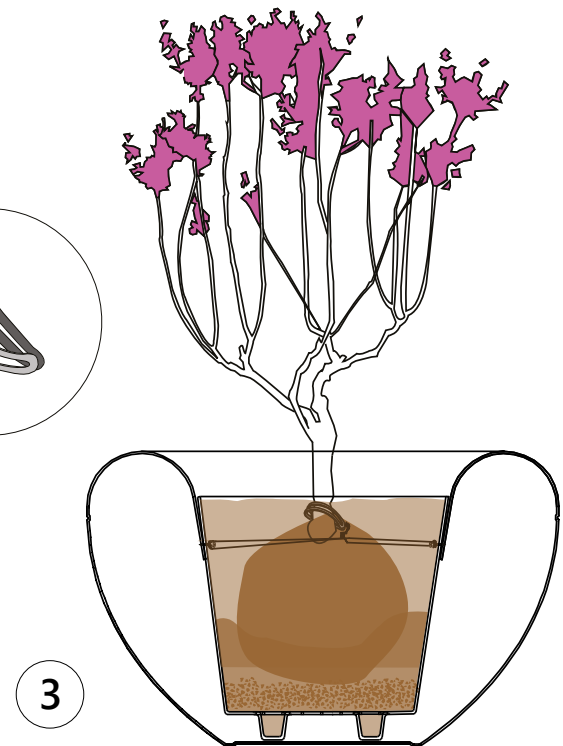
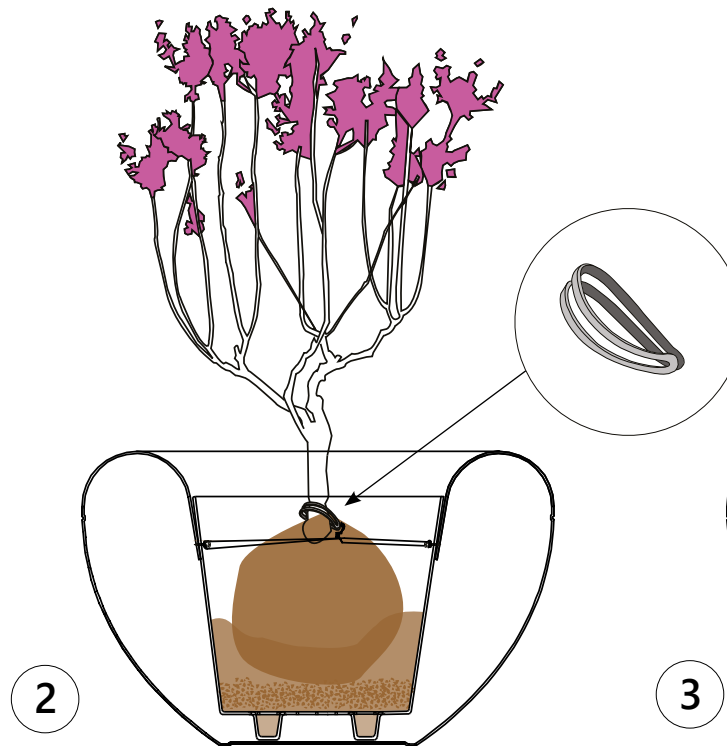
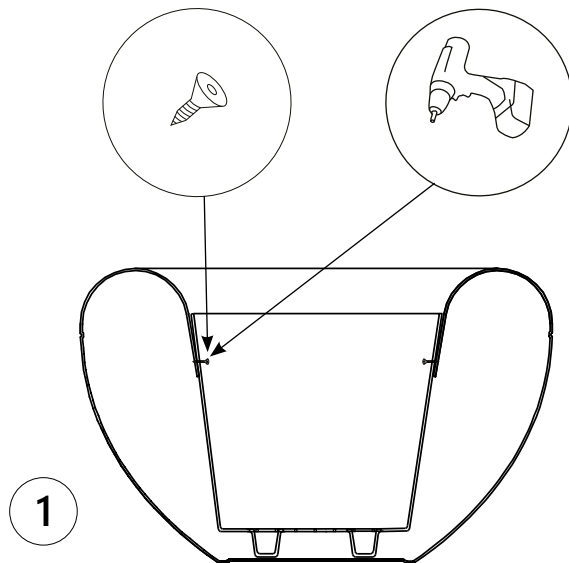
- 1 Screw screws from the inner pot into Scoops upper part as shown (see also fixing) but not completely so that the steel wire can be fixed around the screw.
- 2 Put some soil and maybe leca pellets in the bottom of the inner pot part and put the tree down on top of it. Fix a rubber webbing around the trunk. The webbing must not be too tight around the trunk, as this will stunt the growth of the tree.

Fix steel wire around the screws and pull steel through the webbing and twist the wire several times around it self, until it seems quite firm.

3

Cover webbing and steel wire with soil.

These directions for fixing of Scoop in public domain are only instructive. Manga Street will not guarantee for any theft of or vandalism on Scoop.



scoop

PLANTERS

SCOOP & THE ENVIRONMENT

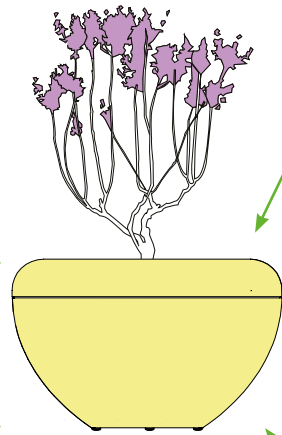


- 1 Scoop Light has received the prestigious Green Good Design Award.

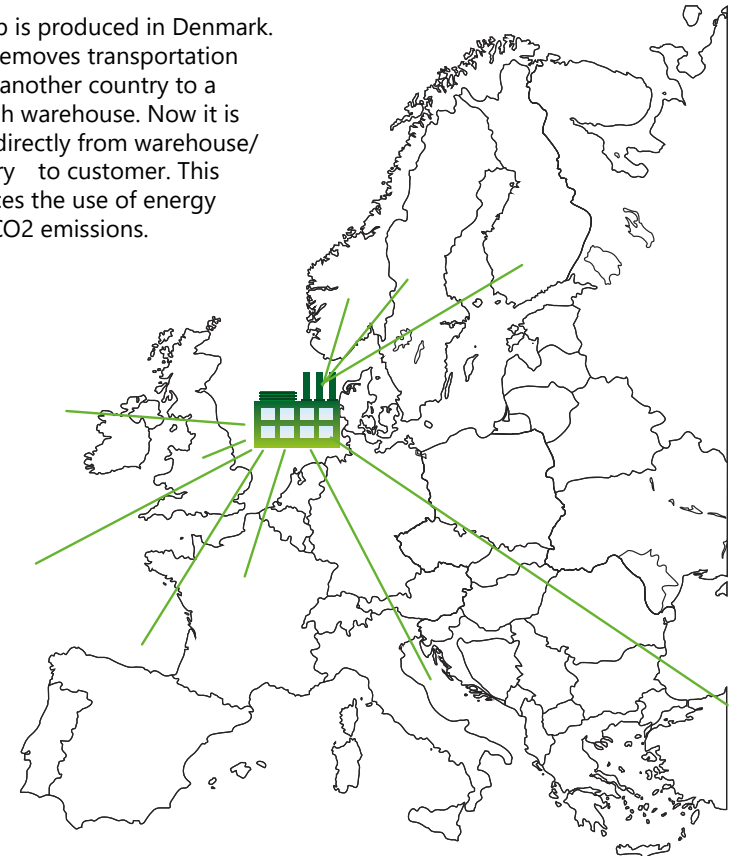


"Green good Design identifies and emphasizes the world's most important examples of sustainable design and develop an awareness in the public about which companies are doing the best job in sustainable design for our world environment."

- 2 Manga Street undertakes, for every Scoop which is produced, to buy trees to be planted in exposed areas on the planet. This to support human beings and nature, where the environment has been damaged. And thus, a tree planted in Scoop will from the very start have a positive absorption of CO2 from the atmosphere.



- 3 Scoop is produced in Denmark. This removes transportation from another country to a Danish warehouse. Now it is sent directly from warehouse/factory to customer. This reduces the use of energy and CO2 emissions.



- 4 Scoops inner pot is always produced in black recycled plastic. This reduces the CO2 emissions and the use of raw materials. Scoop is made of PE plastic. This can always be recirculated to new products if it is disposed of correctly.

- 5 The LED light in Scoop Light uses a minimum of electricity.