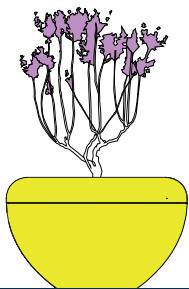


scoop

PLANTERS
OUTDOOR USE



scoop

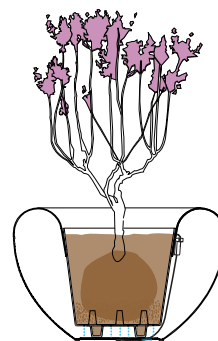
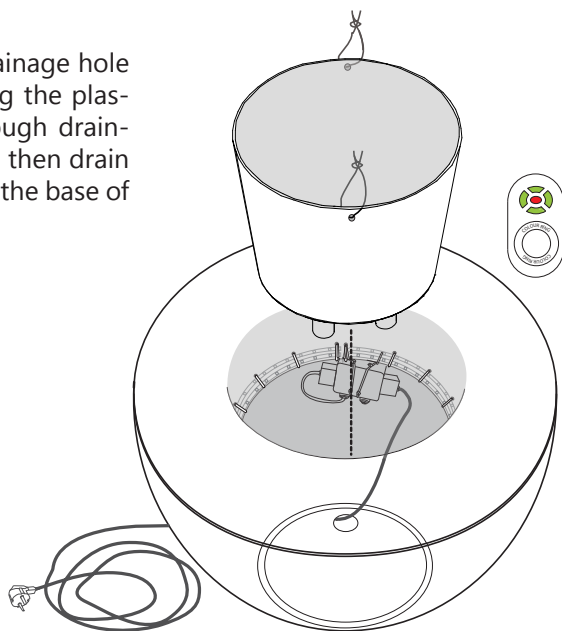
PLANTERS

OUTDOOR USE

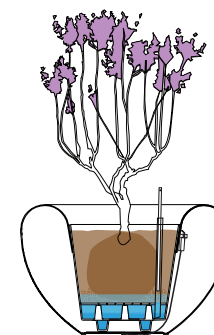
Scoop is delivered with the LED light pre-attached under the rim of the pot (where applicable).

It comes with an inner pot (in black) which fits snugly inside the Scoop and holds the planting. Do not fill soil above the inner pot.

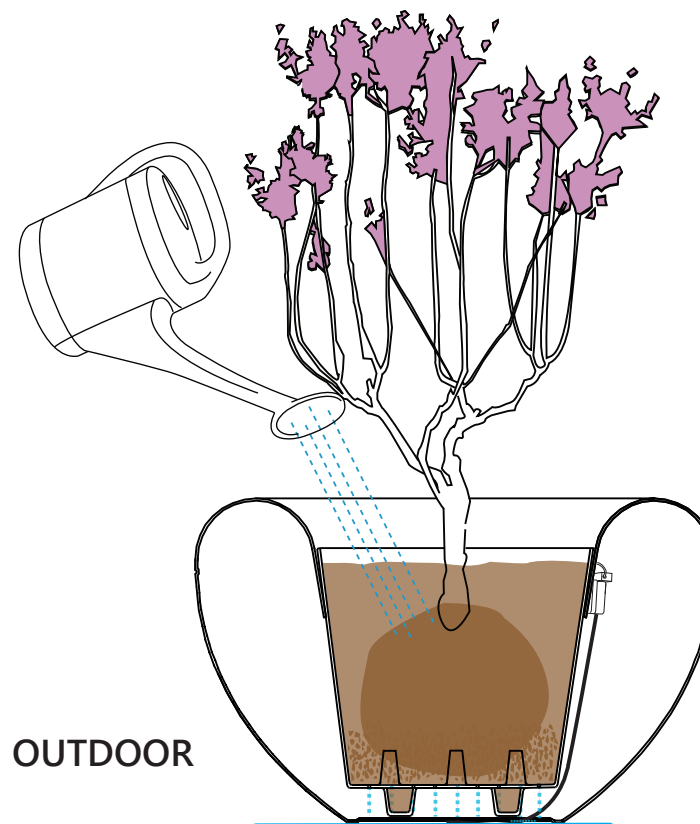
Unscrew the stopper in the drainage hole in the base of the Scoop, using the plastic key. Water will escape through drainage holes in the inner pot, and then drain away through the large hole in the base of the Scoop.



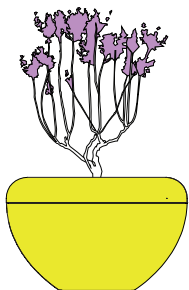
OUTDOOR



INDOOR



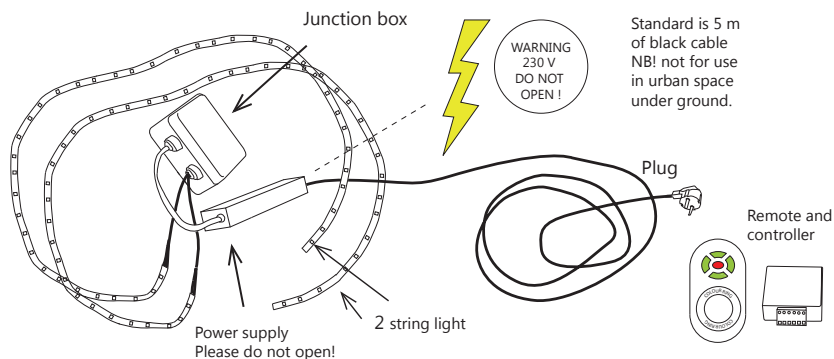
OUTDOOR



scoop

PLANTERS

Light - Technical specifications



Scoop Moonlight string lights - colour change and light reduction

The string light consists of two 1.6 m LED-strings. A watertight junction box for the controller (not waterproof) and a waterproof power supply. The light is controlled with a remote (not waterproof).

Specifications for LED-string with colour change:

Article No. DF-505ORGB3OD-10MM-12V-WE

Voltage: 12V DC

Emission angle: 120 degrees

Consumption for string lights – 23 w + 4 w on power supply = 27 w

Luminous flux per meter: 540 Lm

5050 SMD – 30 /m IP 54

Service life: 50,000 hours

Power supply is CE-approved according to European standards.

It is 36 w – 12vdc. IP 66.

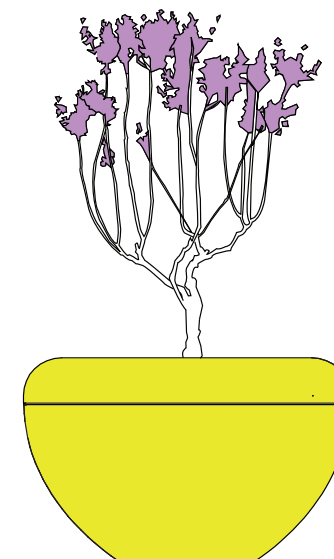
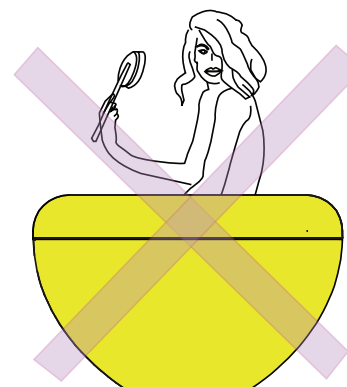
Producer: ClimaCare ApS, Denmark

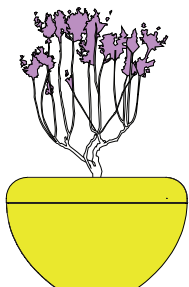
Cleaning instructions - outdoor

- 1 Use high-pressure cleaner on the outside of Scoop planters in combination with a soft sponge on very dirty areas (not at the same time). DO NOT high pressure clean or wash the string lights and controller and power supply!
- 2 Rubber and Plastic Cleanser (the same as is used for cars). Spray onto Scoop when dry and wipe off with a soft cloth. The cleanser removes stains and gives a fresh and new surface but is seldom necessary. Or: Use basic detergent, a soft sponge and hot water. However, the above-mentioned is better.

Scoop intended for planting of trees and bushes

Scoop planters is exclusively intended for planting of trees and bushes, and not for bathing or swimming!





scoop

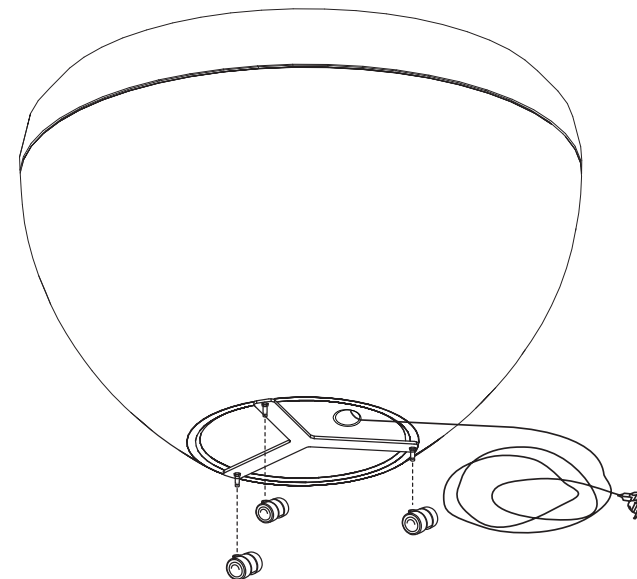
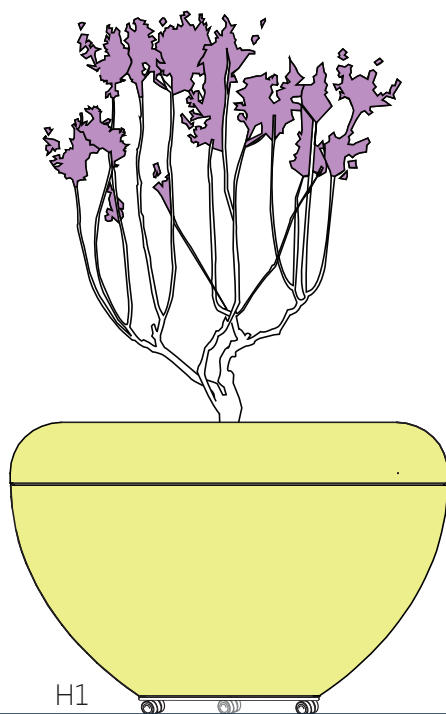
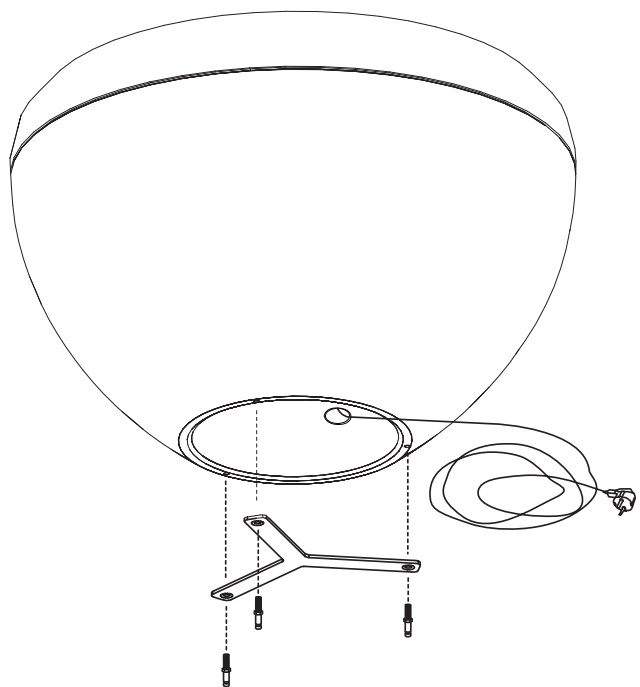
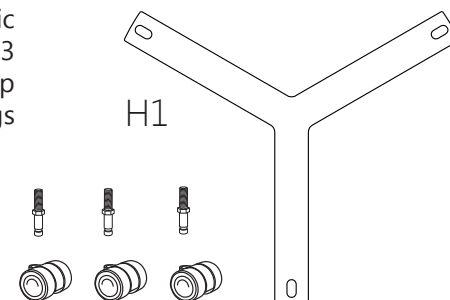
PLANTERS

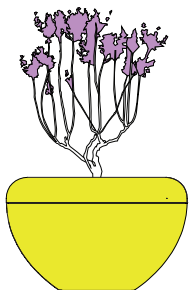
Mounting of castors and fittings

- 1 Place Scoop upside down on for instance the wrapping.
- 2 Turn the enclosed threaded bolt up through the fitting up into the bushing in Scoop.

- 3 Push the castor up into the threaded bolt, until it clicks.

The castor stands a dynamic load of 50 kgs and a static load of 100 kgs (totally for 3 castors 150/300 kgs). Scoop weighs approx. 100-120 kgs inclusive of soil and plant.

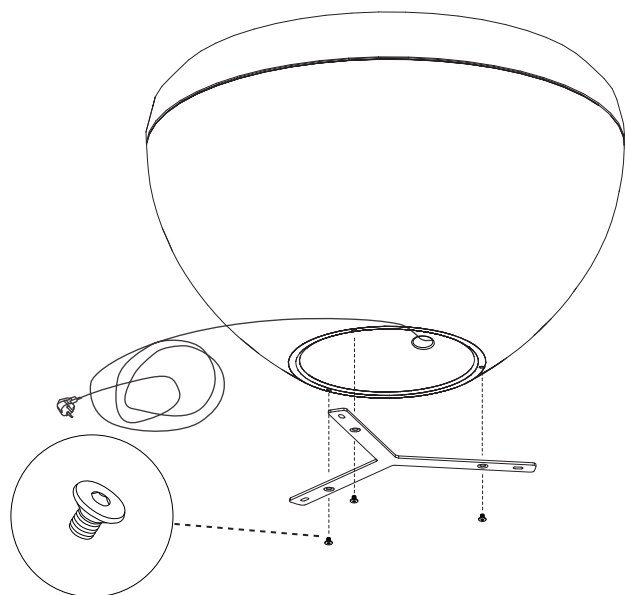




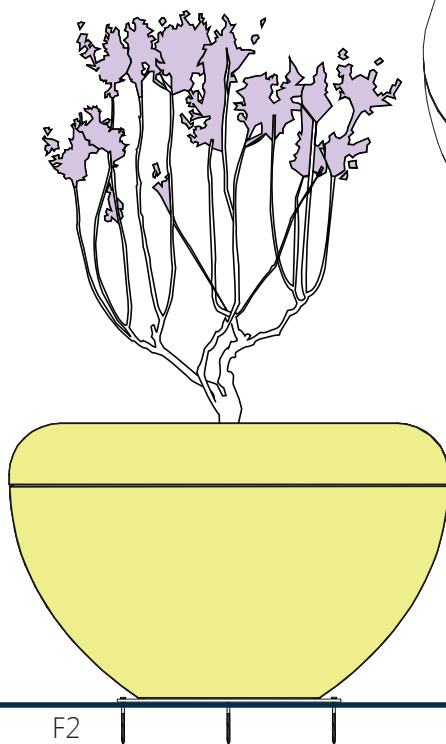
scoop

PLANTERS

Fixing in urban space with fittings



1 Place Scoop upside down on for instance the wrapping. Unscrew the drain plug at the bottom of Scoop so the cable can pass through the hole. Screw on fittings with the enclosed screws in three bushings at the bottom of Scoop.

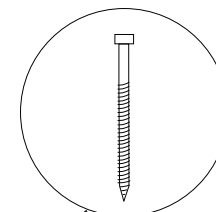
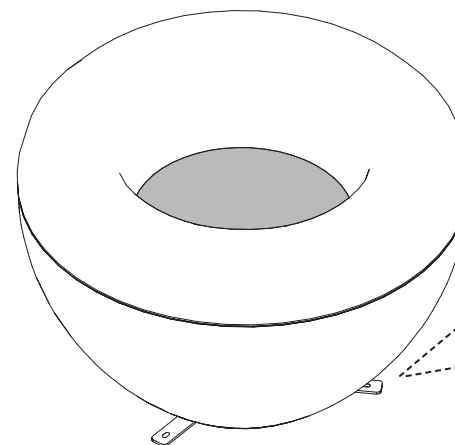


2

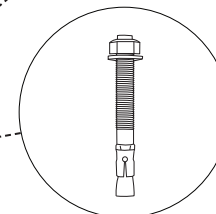
1. Mark in the holes and pre-drill (drill diameter 6 mm). Fix with enclosed screw in firm surface. This method is recommended by IOTA

Or: 2. Mark in the holes and pre-drill. Fix with expansion bolts. (The expansion bolt is only for fixing in concrete and is not enclosed).

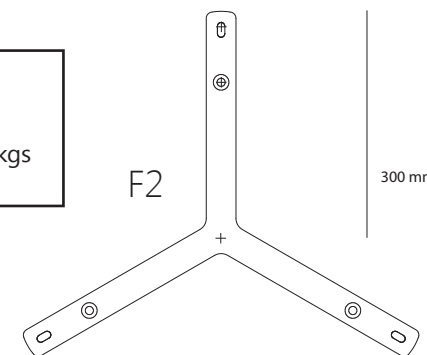
These directions for fixing of Scoop in public domain are only instructive. IOTA will not guarantee for any theft of or vandalism on Scoop.



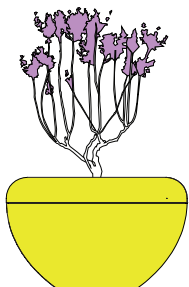
OR



Pull out value of 1 expansion bolt:
Concrete 400 kgs



F2



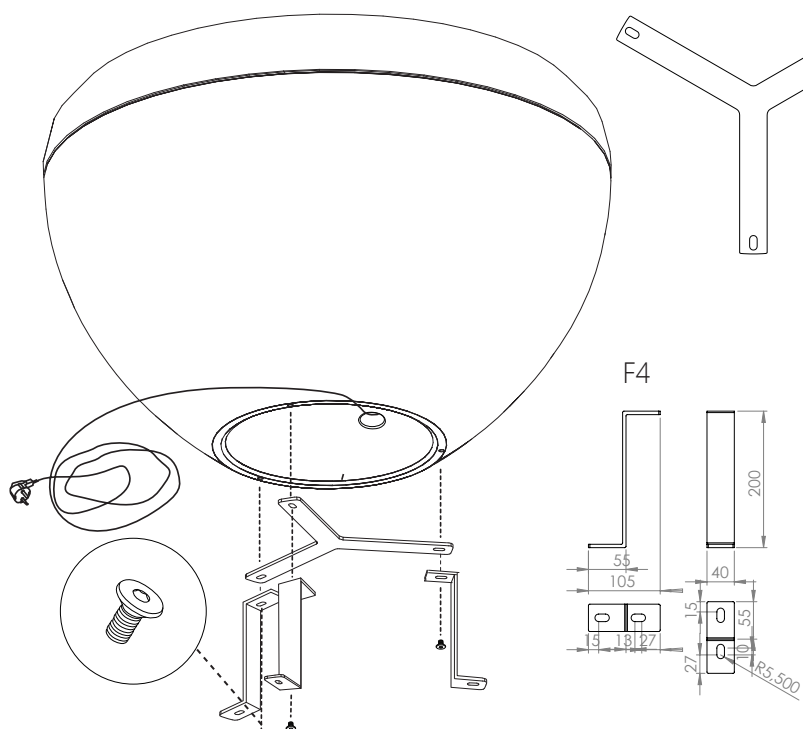
scoop

PLANTERS

Fixing in urban space with fittings

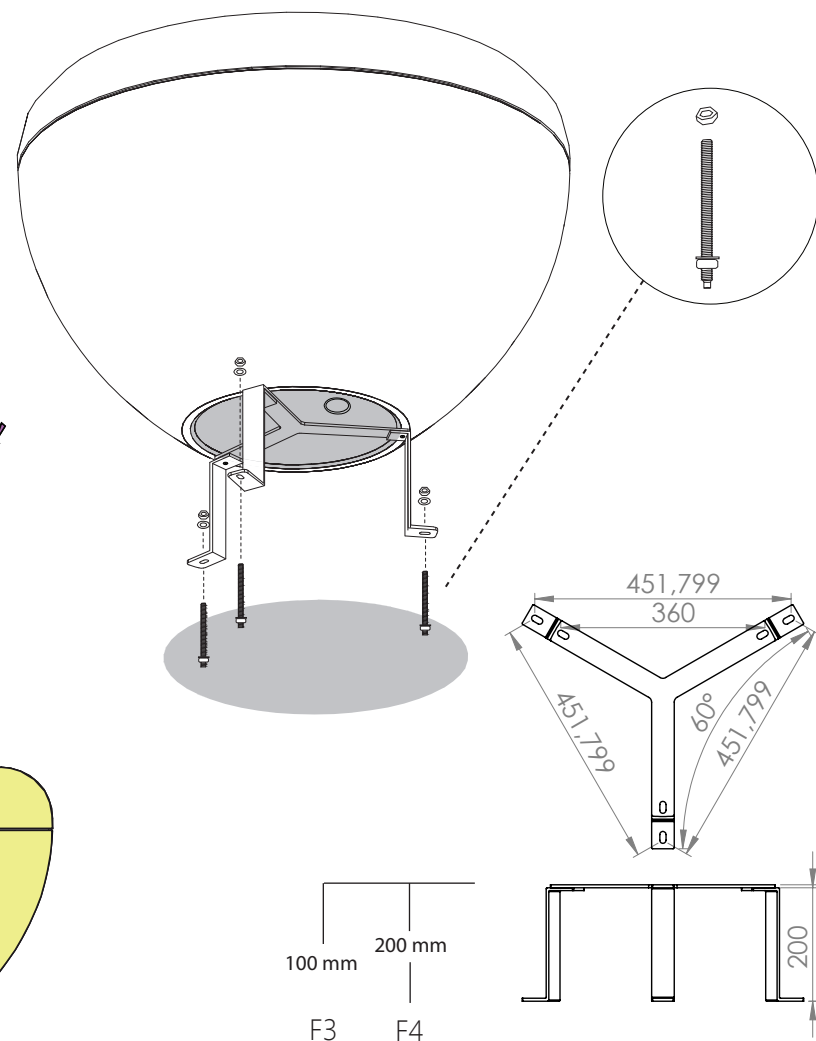
2

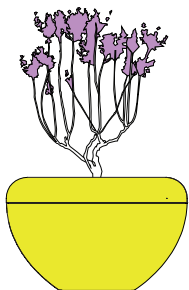
Cast concrete foot with three threaded bars (threaded bar diameter 8 mm). Fix the first bolt and the washer. Fittings and washer and the second bolt. Adjust bolts until Scoop is level.



1

Place Scoop upside down on for instance the wrapping. Screw on fittings with the enclosed screws in three bushings at the bottom of Scoop. NB! Make sure that the cable is free of the fittings.



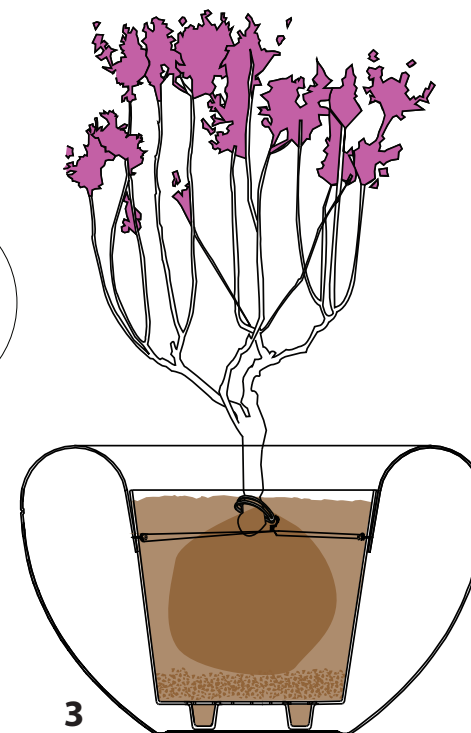
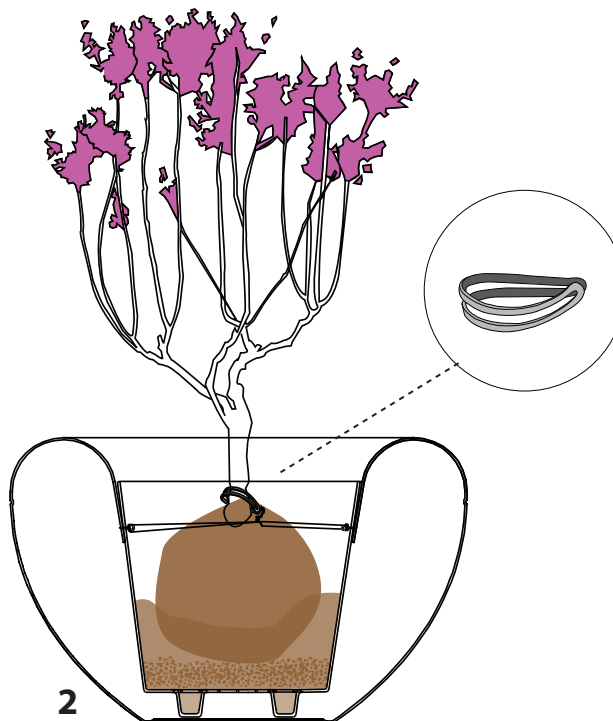
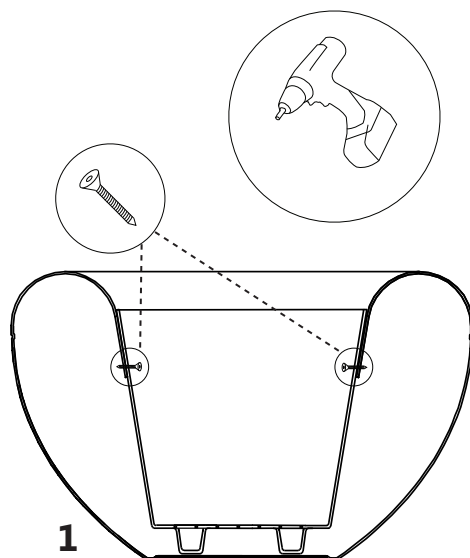


scoop

PLANTERS

Fixing of tree to Scoop

- 1** Screw screws from the self-watering part into Scoop upper part as shown (see also fixing) but not completely.
- 2** Put some soil and maybe leca pellets in the bottom of the self-watering part and put the tree down on top of it. Fix a rubber webbing around the trunk. The webbing must not be too tight around the trunk, as this will stunt the growth of the tree.



Fixing of tree to Scoop

- 3** Fix steel wire around the screws and pull steel through the webbing and twist the wire several times around it self, until it seems quite firm. Cover webbing and steel wire with soil.

These directions for fixing of Scoop in public domain are only instructive. IOTA will not guarantee for any theft of or vandalism on Scoop.